

# NEXT


QUICK INSTALLATION GUIDE




## In-Ceiling Mount



# NOTICES

- This camera operates at PoE (IEEE 802.3at minimum).
- Installation and service should be performed only by qualified and experienced technicians and comply with all local codes and rules to maintain your warranty.
- We are NOT liable of any damage arising either directly or indirectly from inappropriate installation which is not depicted within this documentation.
- To reduce the risk of fire or electric shock during installation, do not expose the product to rain or moisture.
- To remove fingerprints, dust, contaminants, etc., that could occur during installation, wipe the camera with a dry soft cloth. For tough stains, slightly apply a diluted neutral detergent and wipe with a dry soft cloth.
- Do not apply benzene or thinner to the camera, which may cause the surface to melt or lens to fog.
- Avoid aligning the lens with extremely bright objects (e.g., light fixtures) for long periods of time.
- Although this camera is waterproof and suitable for both indoor and outdoor usages, please do not immerse the camera into water.
- Avoid operating or storing the camera in the following locations:
  - Extremely humid, dusty, or hot/cold environments (recommended operating temperature: -40 to 131° F/-40°C to +55°C)
  - Close to sources of powerful radio or TV transmitters
  - Close to fluorescent lamps or objects with reflections
  - Under unstable or flickering light sources
- EN: This product should be supplied by Power-over-Ethernet (PoE).  
The equipment should have on Power over Ethernet (PoE) standards as per IEEE802.3 (42.5-57VDC, 51W),  
Tma is 55 degree C minimum and altitude 5000m.  
If you need further assistance, please contact the manufacturer or brand owner for more information.
- FR: Ce produit doit être alimenté par Power-over-Ethernet (PoE).
- L'équipement doit être conforme aux normes Power over Ethernet (PoE) selon IEEE802.3 (42,5-57 VDC, 51 W),  
la Tma doit être d'au moins 55 degrés C et l'altitude de 5 000 m.
- EN: The equipment powering the Camera should be connected to a socket-outlet with earthing connection.
- FR: L'équipement alimentant la caméra doit être connecté à une prise de courant avec mise à la terre.

	<p><b>WEEE (Waste Electrical and Electronic Equipment).</b> Correct disposal of this product (applicable in the European Union and other European countries with separate collection systems). This product should be disposed of, at the end of its useful life, as per applicable local laws, regulations, and procedures.</p>
---	--

 <p><b>CAUTION</b> RISK OF ELECTRIC SHOCK DO NOT OPEN</p>	 <p>THIS SYMBOL INDICATES THAT DANGEROUS VOLTAGE CONSTITUTING A RISK OF ELECTRIC SHOCK IS PRESENT WITHIN THE UNIT.</p>
<p>CAUTION: TO REDUCE THE RISK OF ELECTRIC SHOCK, DO NOT REMOVE THE COVER. NO USER-SERVICEABLE PARTS INSIDE. REFER SERVICING TO QUALIFIED SERVICE PERSONNEL.</p>	 <p>THIS SYMBOL INDICATES THAT IMPORTANT OPERATING AND MAINTENANCE INSTRUCTIONS ACCOMPANY THIS UNIT.</p>

## FC FCC COMPLIANCE STATEMENT

Information to the user: This unit has been tested and found to comply with the limits for a Class A digital device pursuant to Part 15 of the FCC Rules. Operation is subject to the following two conditions: (1) this device may not cause harmful interference, and (2) this device must accept any interference received, including interference that may cause undesired operation. These limits are designed to provide reasonable protection against harmful interference in a residential installation. This unit generates, uses, and can radiate radio frequency energy and, if not installed and used in accordance with the manual, may cause harmful interference to radio communications. However, there is no guarantee that interference will not occur in a particular installation.

**If this unit does cause harmful interference to radio or television reception, which can be determined by turning the unit off and on, the user is encouraged to try to correct the interference by one or more of the following measures:**

- Reorient or relocate the receiving antenna.
- Increase the separation between the unit and receiver.
- Connect the unit to an outlet on a circuit different from that to which the receiver is connected.
- Consult the dealer or an experienced radio/TV technician for help.

**CAUTION** Changes or modifications not expressly approved by the party responsible for compliance could void the user's authority to operate the unit.

**ATTENTION:** Les changements ou modifications non expressément approuvés par la partie responsable de la conformité peuvent annuler le droit de l'utilisateur à utiliser l'appareil.

## **CE** CE STATEMENT

Operation is subject to the following two conditions: (1) this device may not cause harmful interference, and (2) this device must accept any interference received, including interference that may cause undesired operation. The manufacturer declares that the unit supplied with this guide is compliant with the essential protection requirements of EMC directive and General Product Safety Directive GPSD conforming to requirements of standards EN55032, EN55035, EN61000-3-2, EN61000-3-3, IEC 61000-4-2, IEC 61000-4-3, IEC 61000-4-4, IEC 61000-4-5, IEC 61000-4-6, IEC 61000-4-8, and IEC 61000-4-11 for emission and immunity and UKCA.

This product is IP67 rated for outdoor environments and IK10 rated for impact protection. The camera product also meets regulations required to be NDAA, GSA schedule and TAA approved.

# IN THIS GUIDE

<b>IN-CEILING MOUNT INSTALLATION</b>	<b>4</b>
<b>PACKAGE CONTENTS</b>	<b>4</b>
<b>INSTALLATION</b>	<b>4</b>
<b>Connect the Cables</b>	<b>7</b>
<b>Assemble the Components</b>	<b>8</b>
<b>Install the Camera Sensor</b>	<b>9</b>
<b>Install the Trim Ring</b>	<b>11</b>

# IN-CEILING MOUNT INSTALLATION

## PACKAGE CONTENTS

### In-Ceiling Mount VNX-AC-ICBK-0

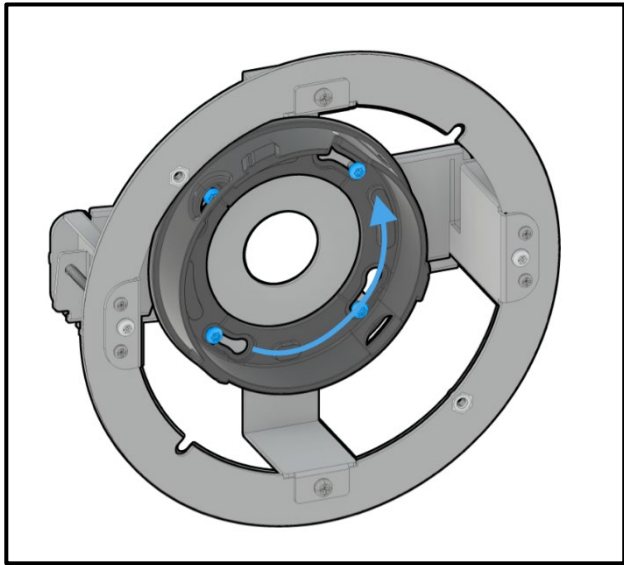
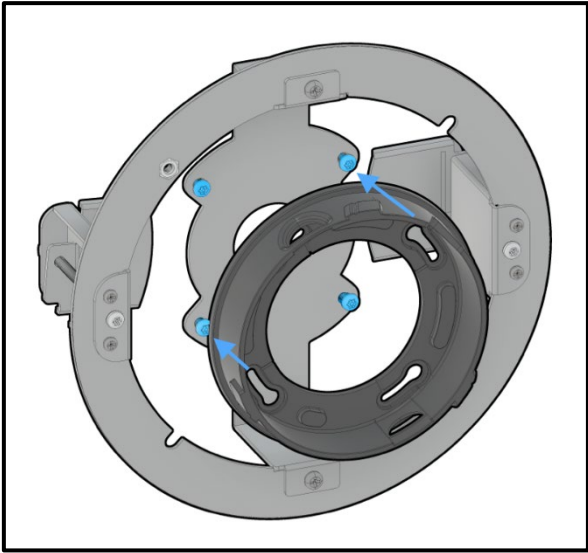
- In-Ceiling Bracket with Trim Ring
- Template (Ceiling Hole Diameter: 6.9 in./175 mm)
- T20 Torx Wrench

When unpacking, check to see if there is any visible damage to the appearance of the in-ceiling and its accessories. Remove any protective materials from the bracket after every item is properly checked.

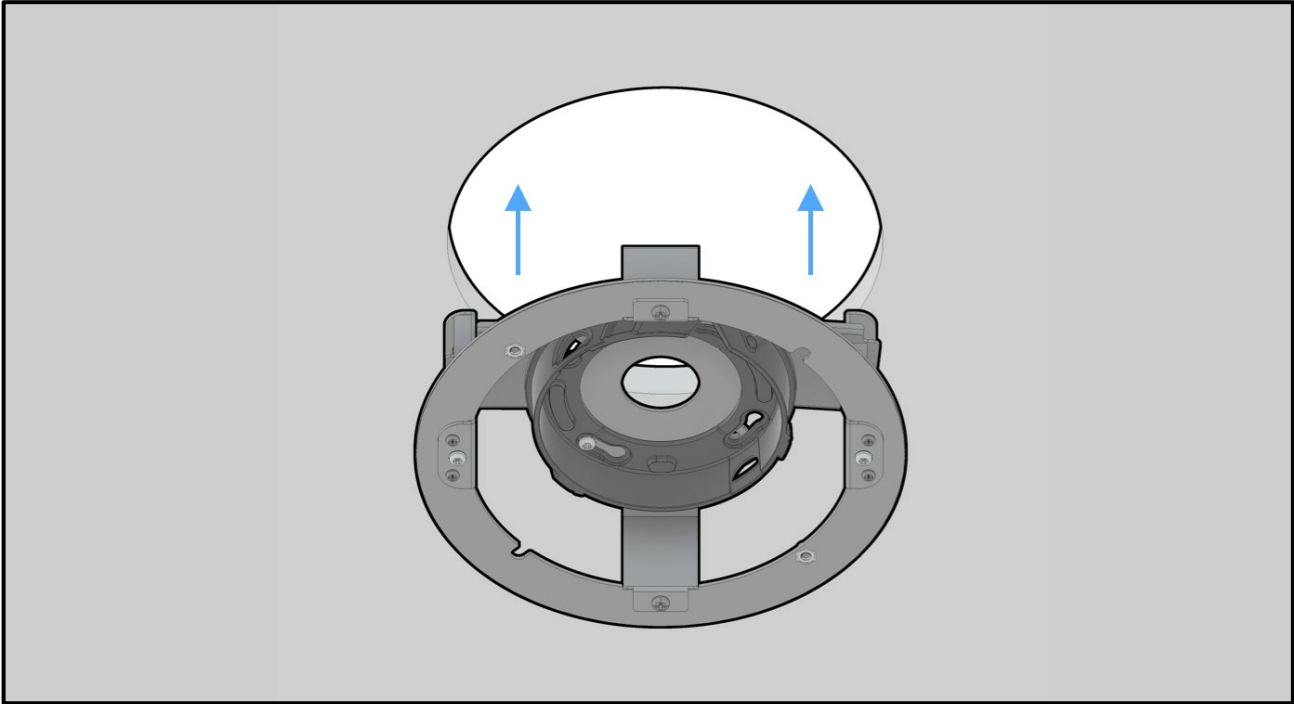
**CAUTION:** To minimize the possibility of moisture being trapped inside the Camera Sensor, keep the sensor module in its factory-sealed bag with the desiccant bag intact until it is ready to be installed.

## INSTALLATION

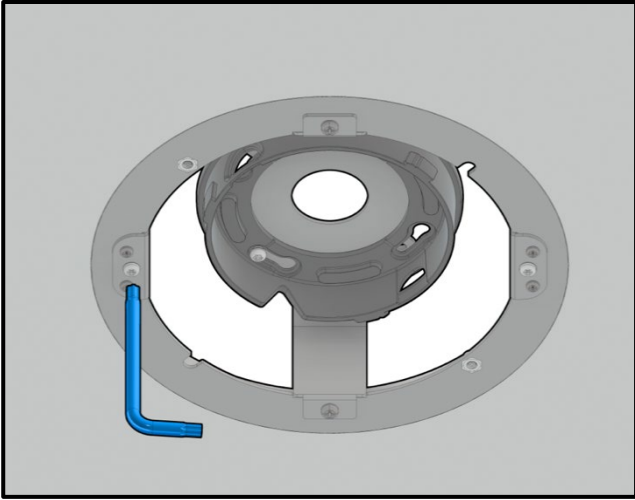
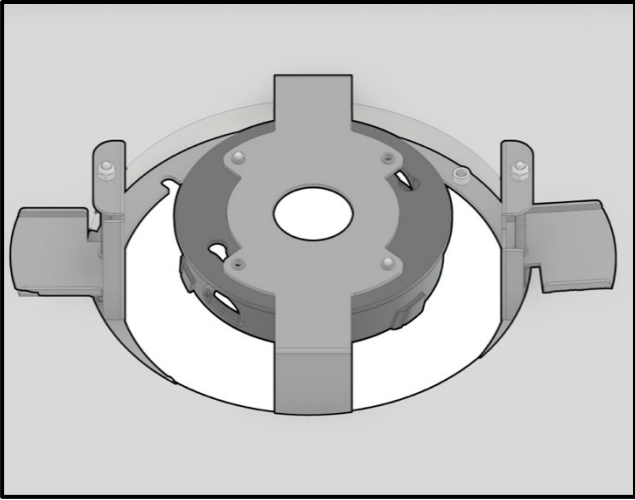
1. Select a mounting location in a ceiling that is clear from any obstacles, such as steel beams, pipes, etc., that would interfere with mounting. The ceiling material must provide suitable strength to support the weight of the camera system. Route any necessary cabling to the installation site.
2. Using the template provided, cut a hole in the hard ceiling or drop-ceiling tile (diameter of 6.9 in./175 mm). When working in a drop ceiling, the tile can be removed and placed on a flat surface for easier accessibility.
3. Assemble the Base (from Solo Fixture Kit) to the In-Ceiling Bracket. Loosen the 4x pre-installed M4 Phillips head screws with user supplied screwdriver. Assemble the bracket to the Base and then re-tighten the screws.



4. Insert the In-Ceiling Bracket/Base assembly into the hole in the ceiling.

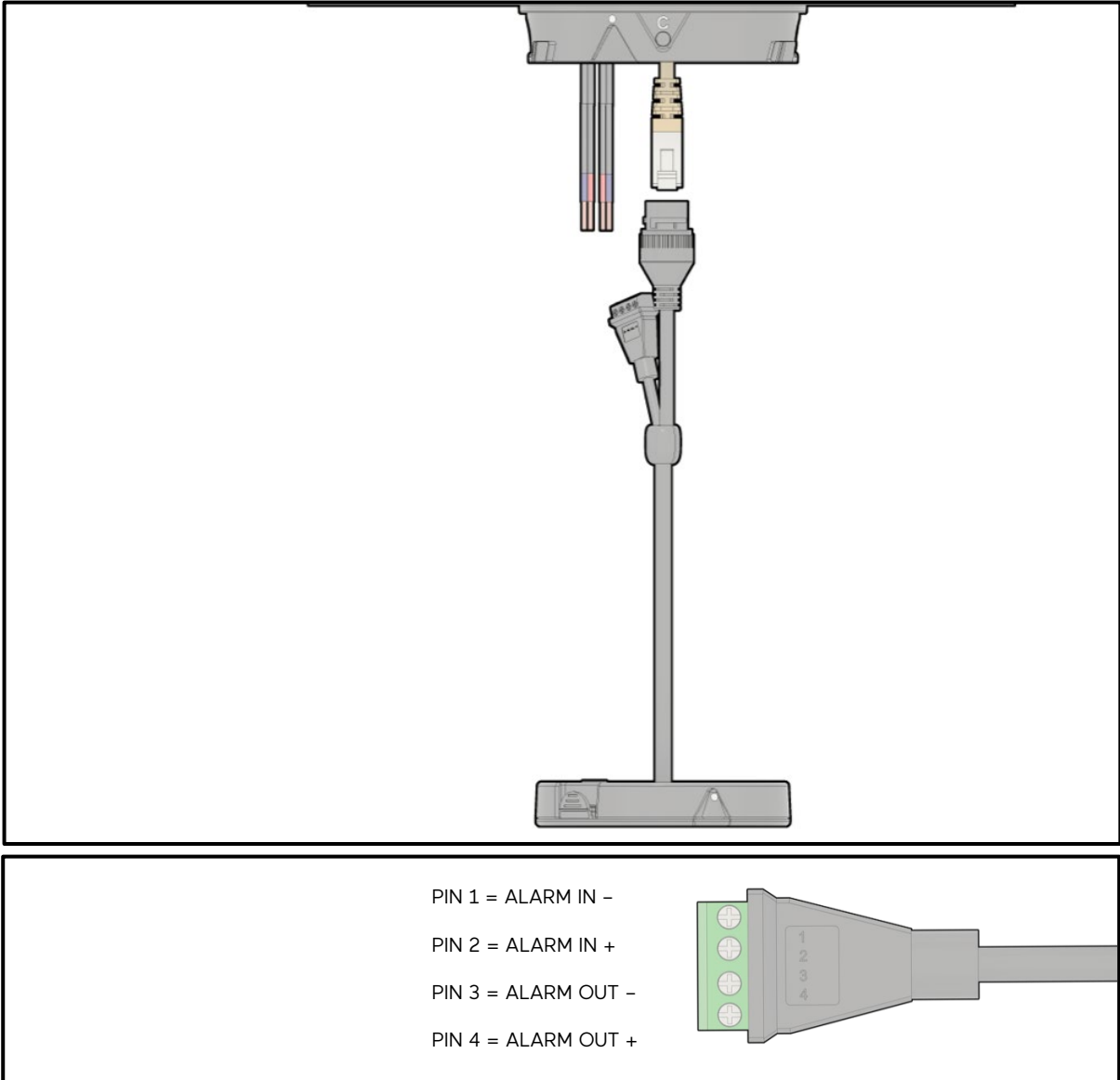


5. Use the T20 Torx Wrench to tighten the locking screws; as the screws tighten, the locking wings unfold and lower until they hit the ceiling to secure the bracket to the ceiling.



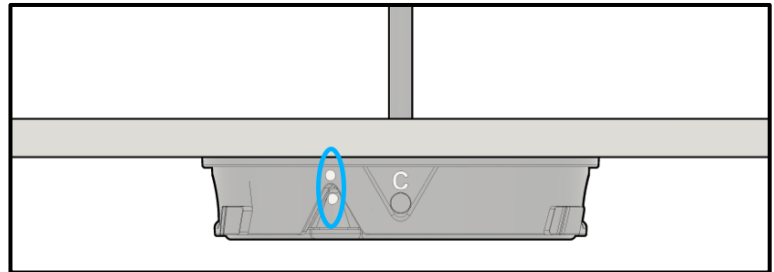
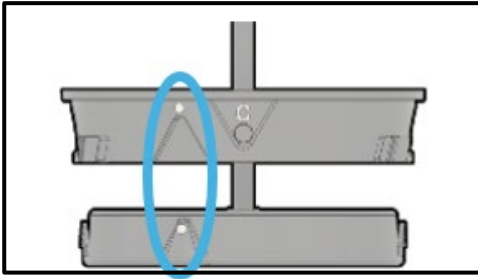
## Connect the Cables

1. Connect Ethernet cable to the RJ-45 on the pigtail of the Network Hub. Connect Alarm I/O cable as required.

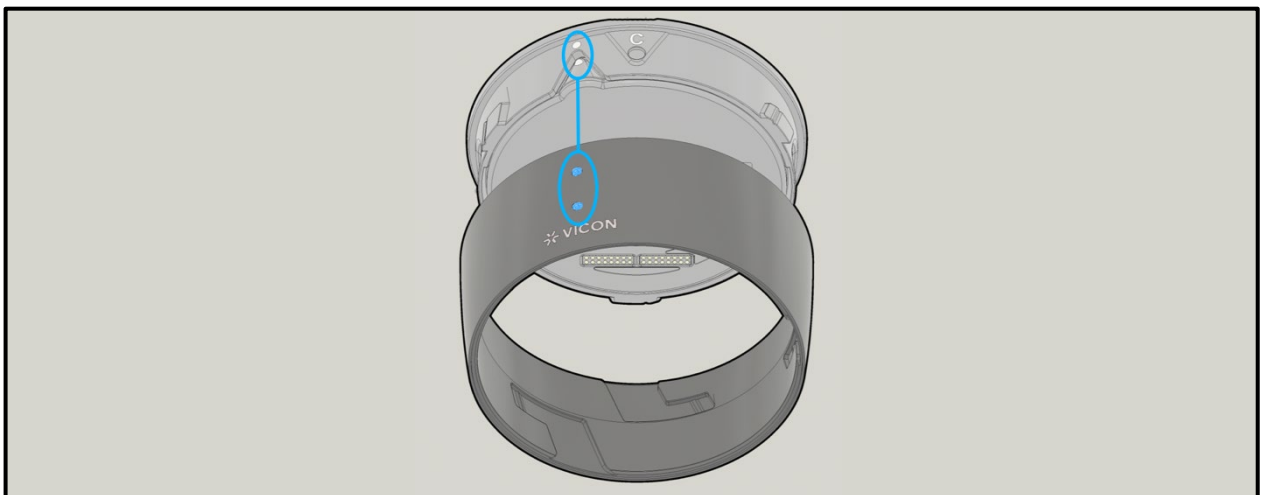


## Assemble the Components

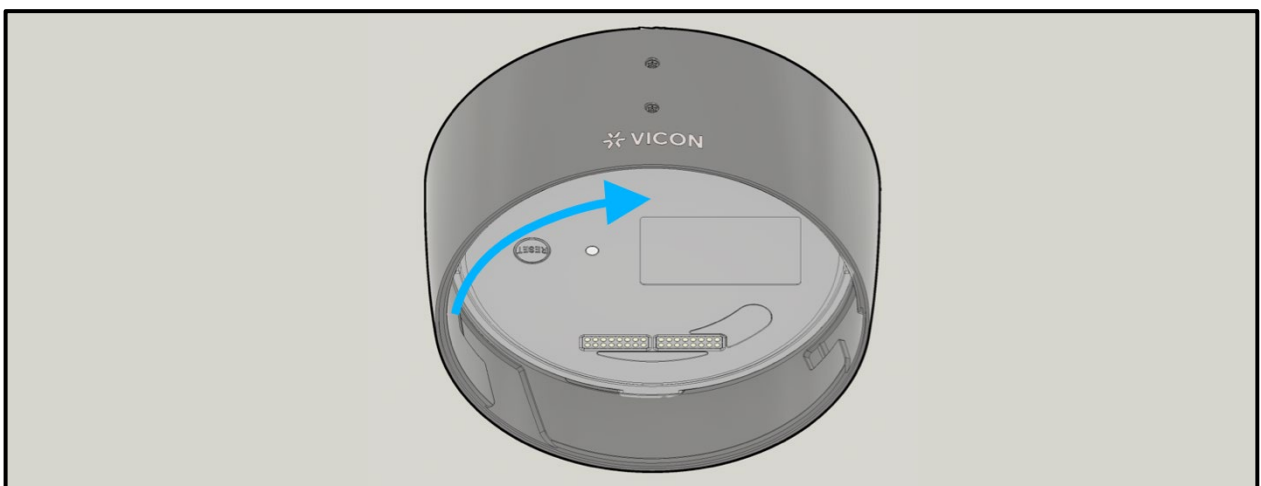
1. Align the single dot indicator on the Network Hub with the dot on the Base and firmly snap the Network Hub into place.



2. Align the two lock screws on the Solo Fixture with the double dot indicators on the installed Network Hub.

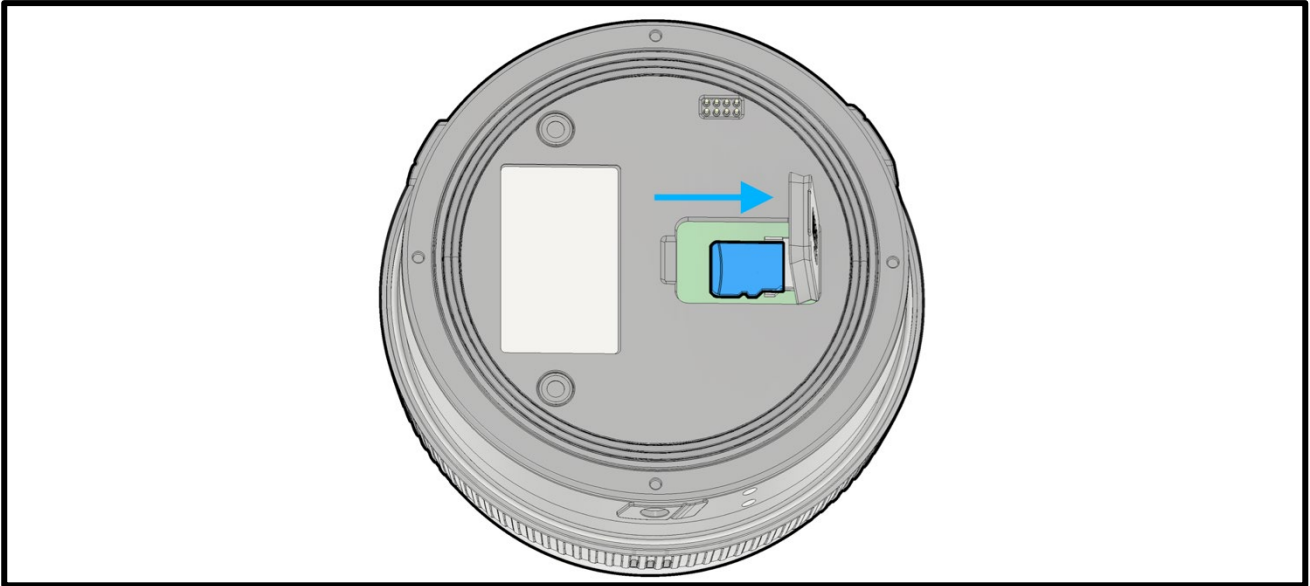


3. Twist the Solo Fixture to the right to lock it into place. The Vicon logo on the Solo Fixture is now aligned with the Base's centerline ("C").



## Install the Camera Sensor

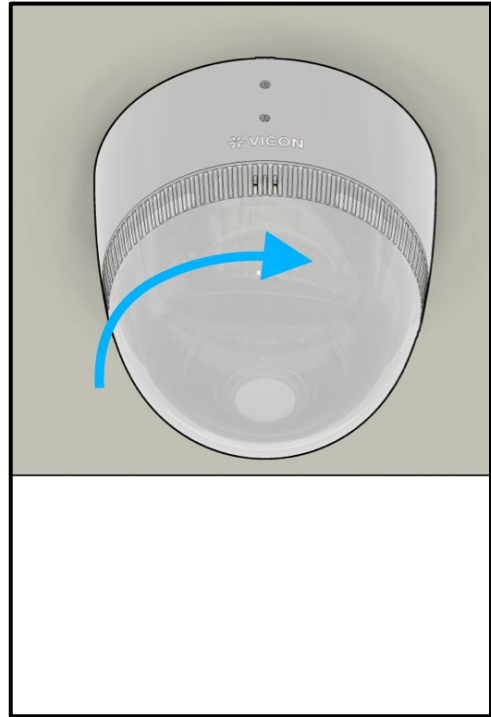
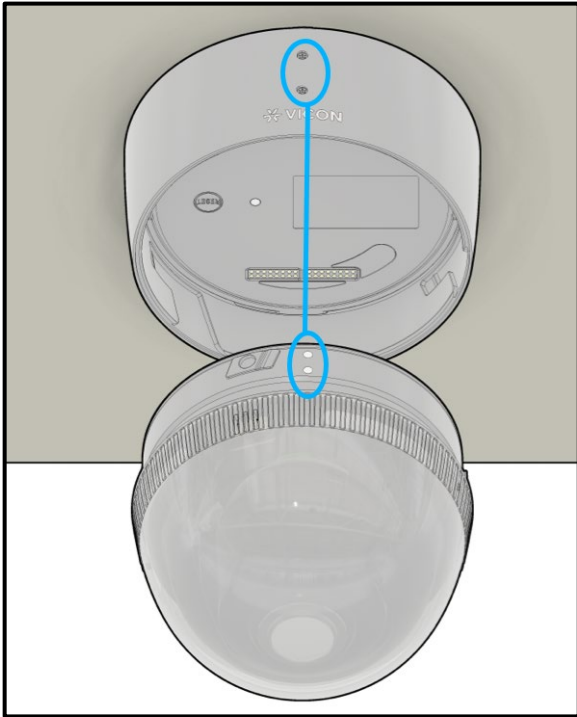
1. Just prior to installation, remove the Camera Sensor from the factory-sealed bag.
2. If using edge recording for On-Prem or Anavio solutions, install the Vicon Edge Recording Card (VNX-EL-SD5G-0 or VNX-EL-SD1T-0).



NOTE: Only the Vicon Edge Recording Cards are accepted (VNX-EL-SD5G-0/VNX-EL-SD1T-0).

3. Align the double dot indicators on the Camera Sensor with the two lock screws on the Solo Fixture, then twist it to the right to lock it into place.

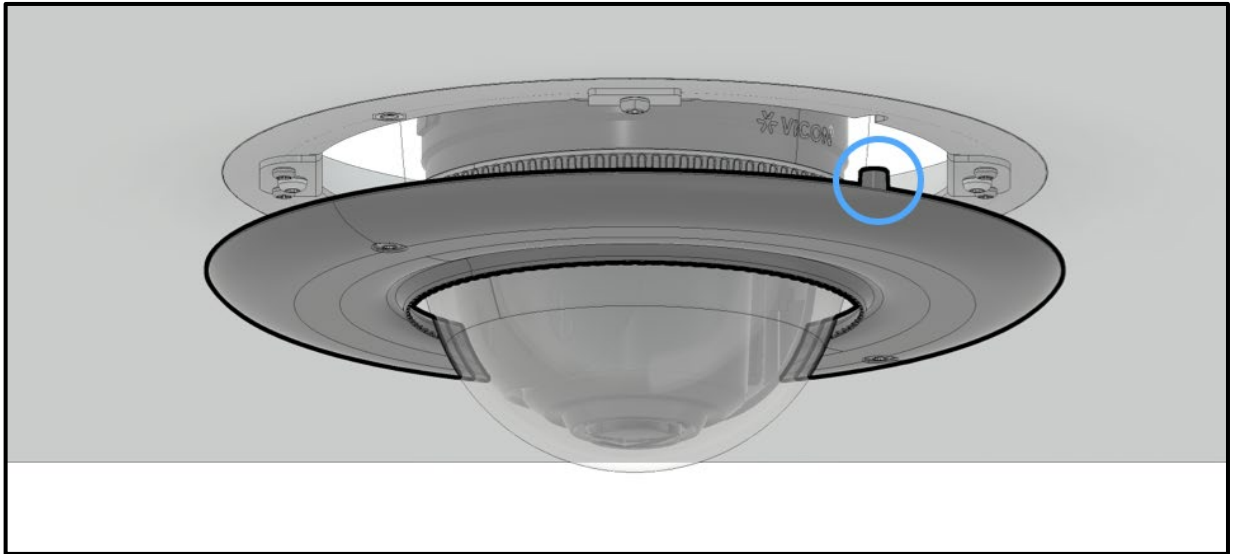
NOTE: The NEXT cameras are built with a special membrane to allow internal moisture to vent, ensuring the IP67 rating. However, in certain environments, some moisture vapor may pass through. Upon powering up the camera, there may be some temporary condensation inside the bubble. This is normal and will typically clear on its own within 2-4 hours but may take longer based on the environment.



4. Upon successful power-up, the LED lightbars on the Camera Sensor will sequence and then flash green for 15 seconds upon successful installation.

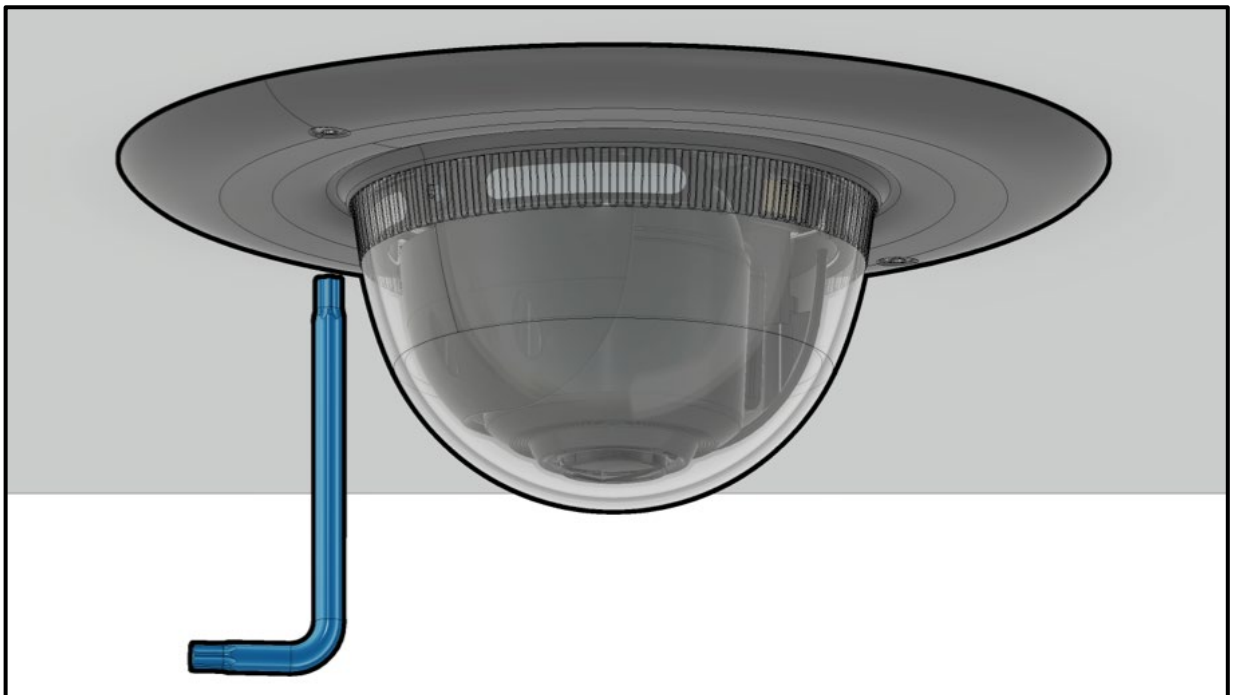
## Install the Trim Ring

1. Snap the Trim Ring onto the In-Ceiling Bracket.



NOTE: The fingers on the inner diameter lock into the grooves on the Camera Sensor.

2. Tighten the 2x M4 captive security Torx screws with the T20 Wrench provided.





Vicon Industries Inc. does not warrant that the functions contained in this equipment will meet your requirements or that the operation will be entirely error free or perform precisely as described in the documentation. This system has not been designed to be used in life-critical situations and must not be used for this purpose.

Document Number: 8009-8344-20-02 Rev: 10/25  
Product specifications subject to change without notice  
Copyright © 2025 Vicon Industries Inc. All rights reserved.

24-Hour Technical Support:  
800-34-VICON (800-348-4266)  
UK: 44/(0) 1489-566300  
Toll Free: 800-645-9116

T: 631-952-2288  
F: 631-951-2288

[vicon-security.com](http://vicon-security.com)